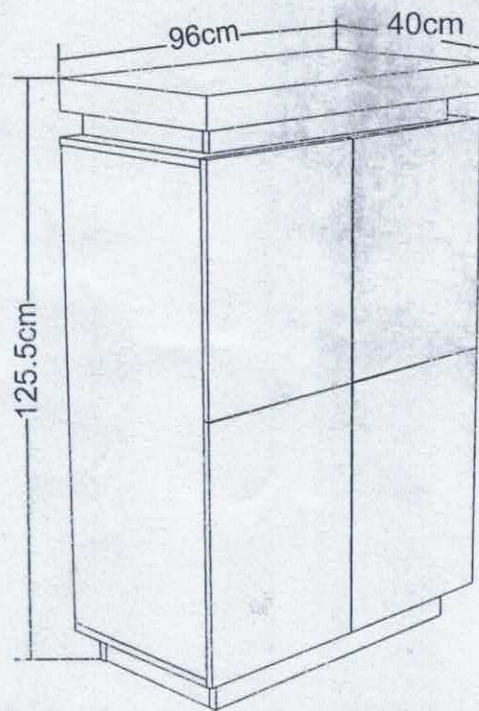


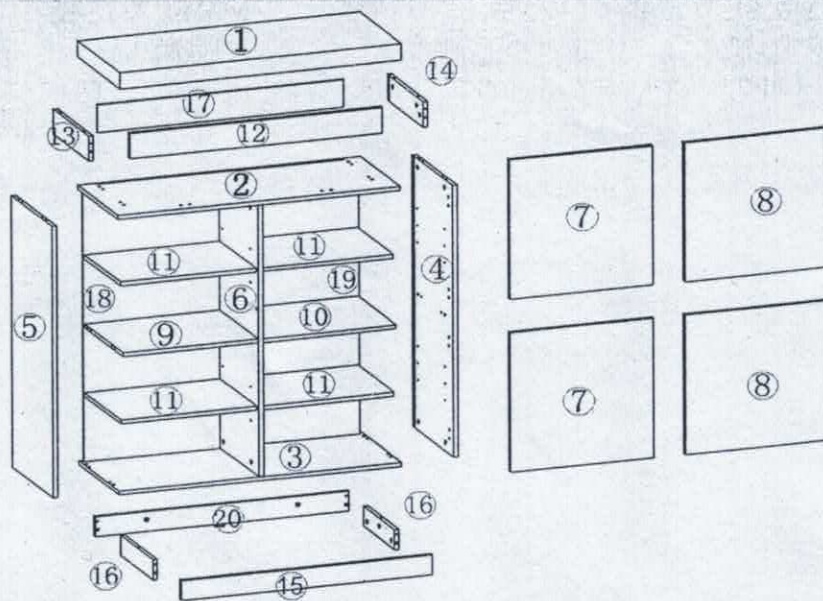
PRODUCT NAME

BLANC 96 Buffet with Led



EN

1. Identify the parts which make up your piece of furniture.
  2. Gather the hardware parts and count them.
  3. Have the necessary assembly tools ready.
  4. Organize a space for assembly, wall carpeting or a blanket will protect the furniture against scratches.
  5. Never force the assembling while you put the parts together. You are recommended to tighten the screws after the furniture has been used for some time.
  6. After assembling this product, it is advisable to regularly ventilate the room for a few days.
- KEEP THE ASSEMBLY INSTRUCTION. THE RELEVANT INFORMATION YOU CAN FIND ON IT WILL HELP YOU GET IN TOUCH WITH YOUR STORE IF A PART WAS TO BE MISSING.

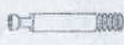
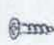


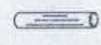

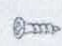
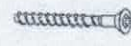

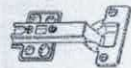

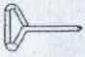

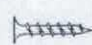
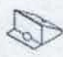
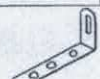



No.	Size	Qty	Ctn no.
1	960x398x60	1	1
2	960x380x15	1	1
3	960x380x15	1	2
4	1035x380x15	1	1
5	1035x380x15	1	1
6	1035x380x15	1	2

No.	Size	Qty	Ctn no.
7	531x478x18	2	2
8	531x478x18	2	2
9	456.5x361x15	1	1
10	456.5x361x15	1	1
11	456.5x361x15	4	1
12	860x95x15	1	2

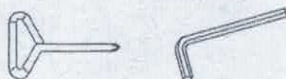
No.	Size	Qty	Ctn no.
13	335x95x15	1	2
14	335x95x15	1	2
15	860x76x15	1	2
16	298x76x15	2	2
17	836x103x5	1	2
18	1043x464.5x5	1	2
19	1043x464.5x5	1	2
20	860x76x15	1	2

## HARDWARE LIST

101	x38	102	x52	103	x38	104	X38	105	x30	106	x1
											
φ7x32.5		φ4x14		φ15x11		φ21		φ6x30		41x21x12mm	
107	x12	108	x6	109	x4	110	x8	111	x16	112	x1
											
φ3x12		φ7x50						φ6x15			
113	x1	114	x12	115	x12	116	x2	117	x1		
											
#4		φ3x20				45*70*19		L=3000mm			

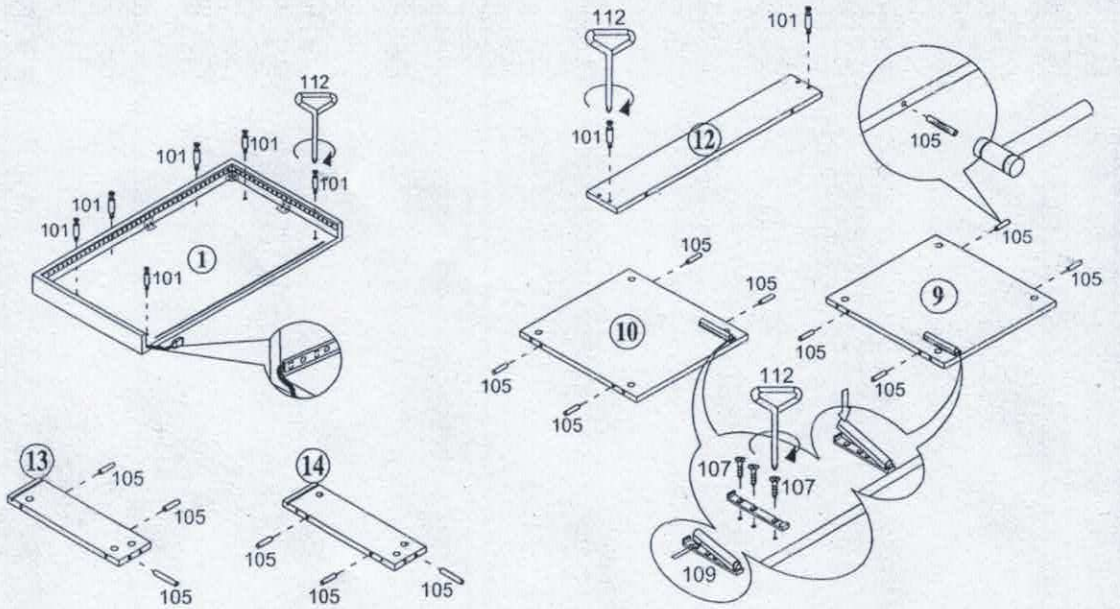


OUTILLAGE:  
TOOLS:



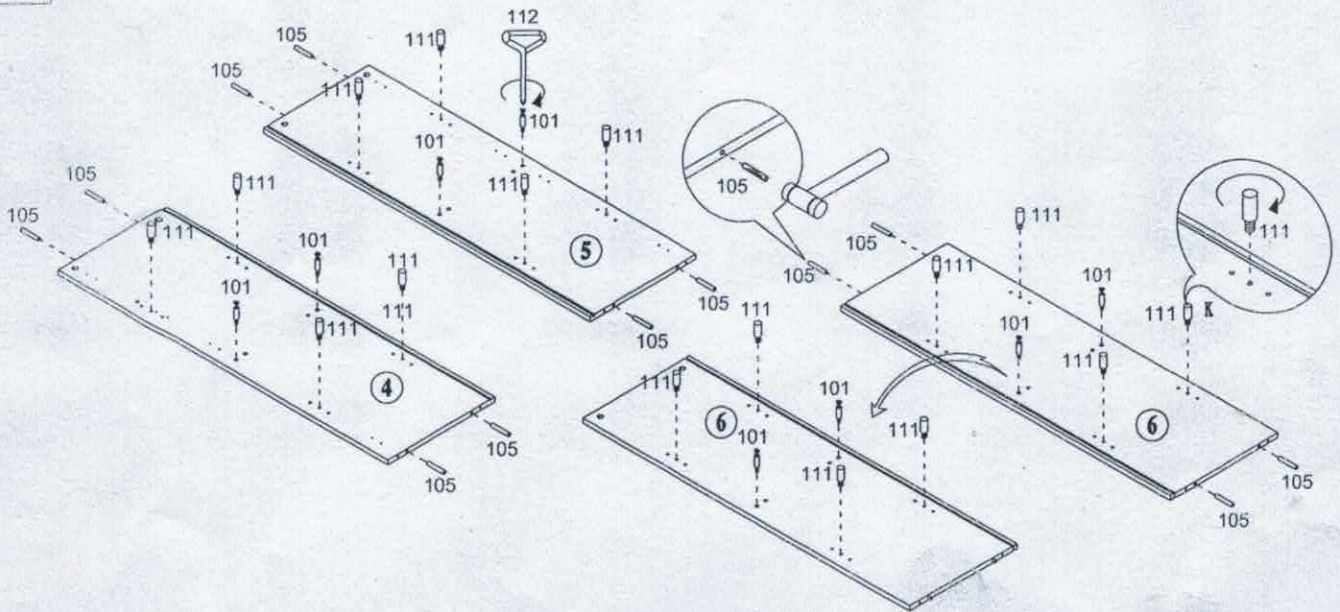
A SOFT CLOTH IS SUITABLE FOR PRODUCT CARE.

1



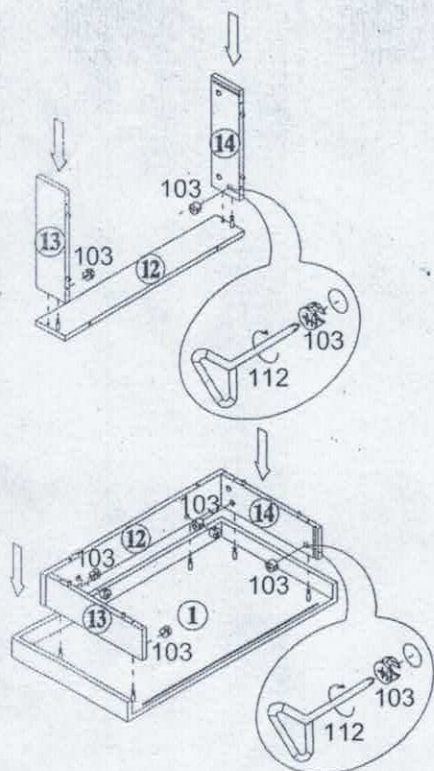
101	x8	105	x14	107	x6	109	x2	112	x1
Ø7x32.5		Ø6x30		Ø3x12					


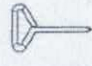

2



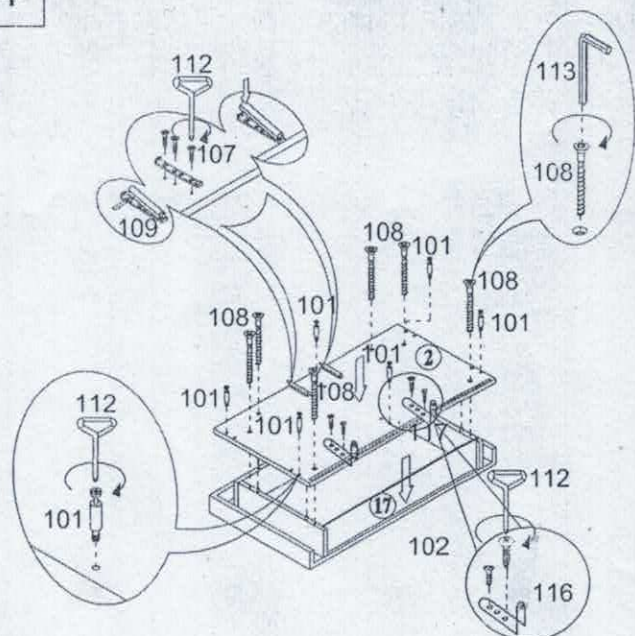
101	x8	105	x12	111	x16	112	x1
Ø7x32.5		Ø6x30		Ø6x15			

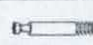
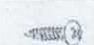

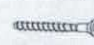

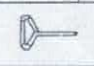


3



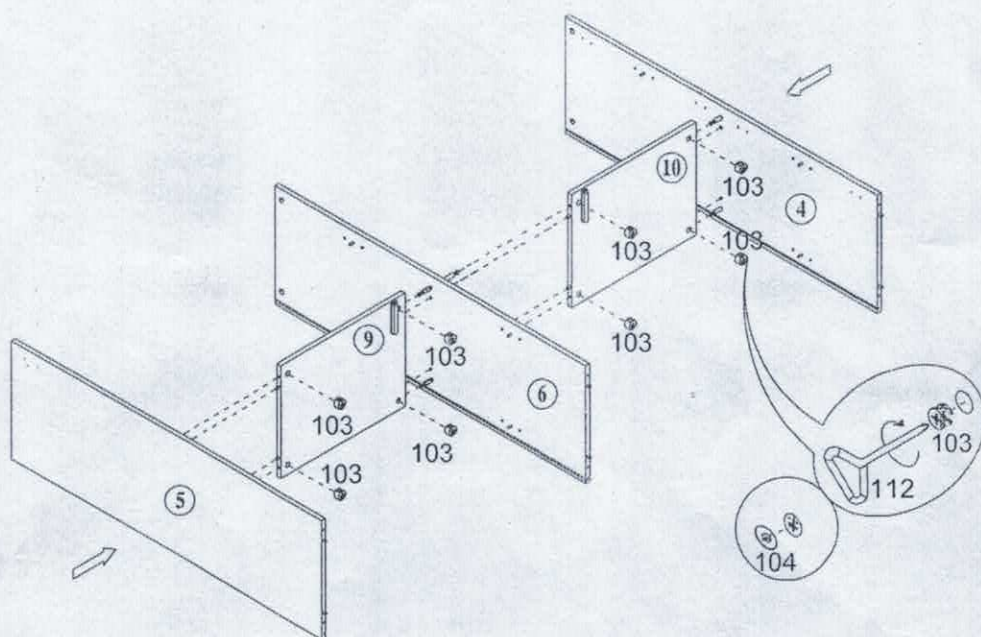
103	x8	112	x1	104	x6
					
$\phi 15 \times 11$				$\phi 16$	



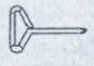
4



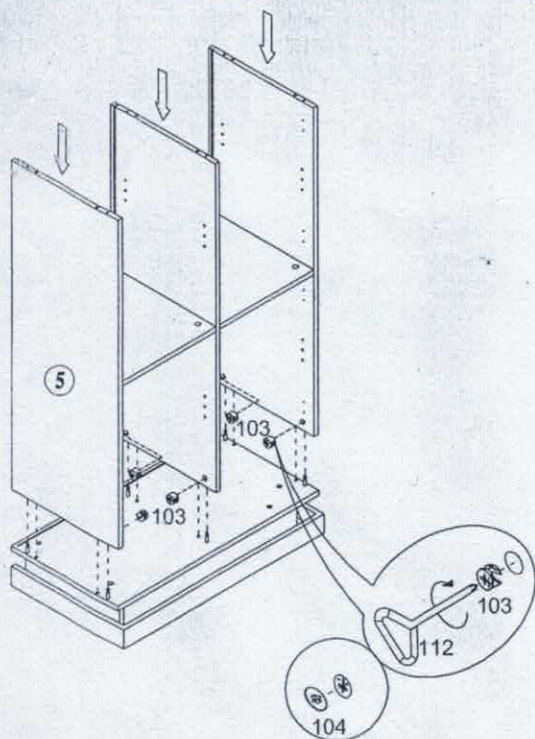
101	x6	102	x4	116	x2	108	x6
							
$\phi 7 \times 32.5$		$\phi 4 \times 14$		45°70°19		$\phi 7 \times 50$	
109	x2	112	x1	113	x1	107	x6
							
				#4mm		$\phi 3 \times 12$	



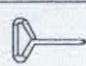
5



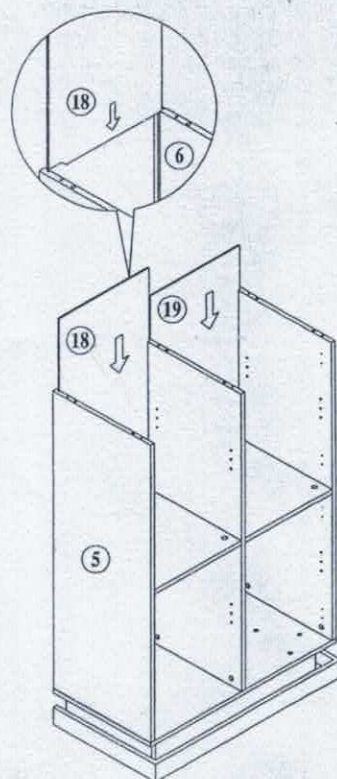
103	x8	104	x8	112	x1
					
$\phi 15 \times 11$		$\phi 16$			

6

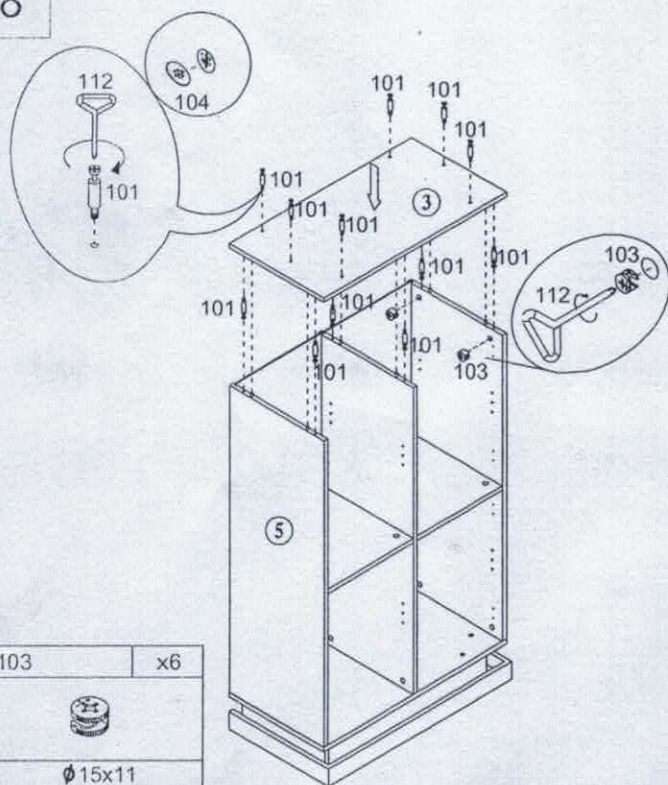



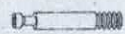
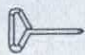

103	x6	104	x6	112	x1
					
$\phi 15 \times 11$		$\phi 16$			

7

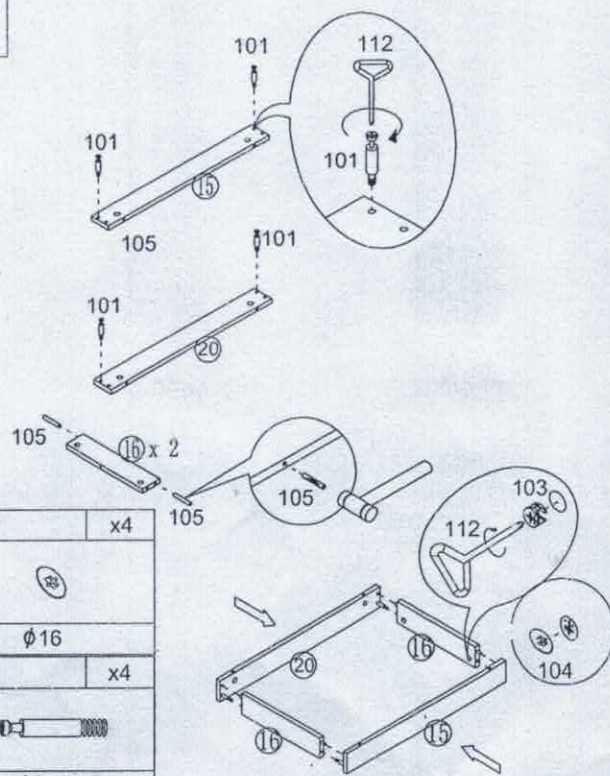



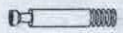


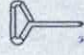
8



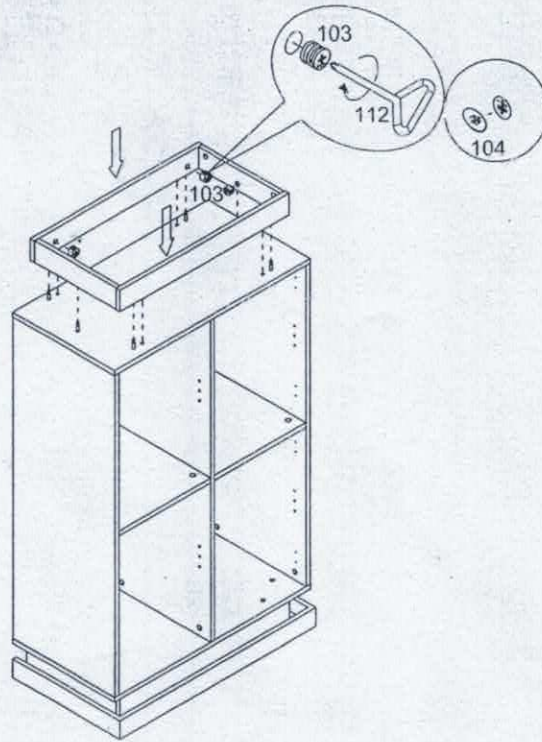
103	x6				
					
$\phi 15 \times 11$					
101	x12	112	x1	104	x6
					
$\phi 7 \times 32.5$				$\phi 16$	

9



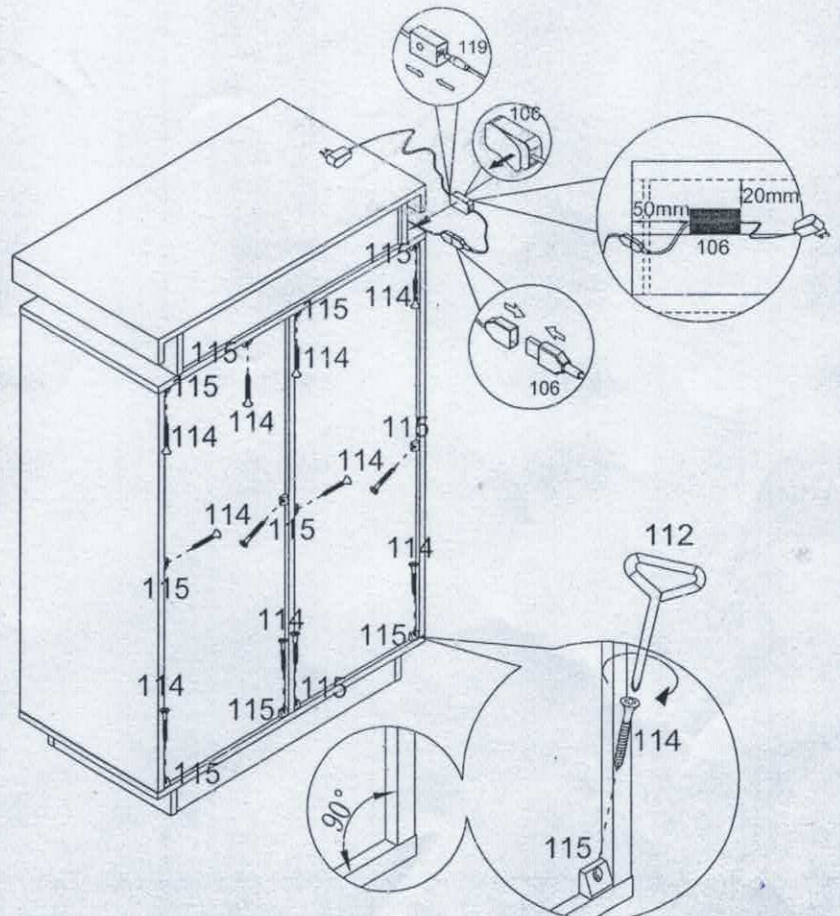
104	x4				
					
$\phi 16$					
101	x4				
					
$\phi 7 \times 32.5$					
103	x4	105	x4	112	x1
					
$\phi 15 \times 11$		$\phi 6 \times 30$			

10



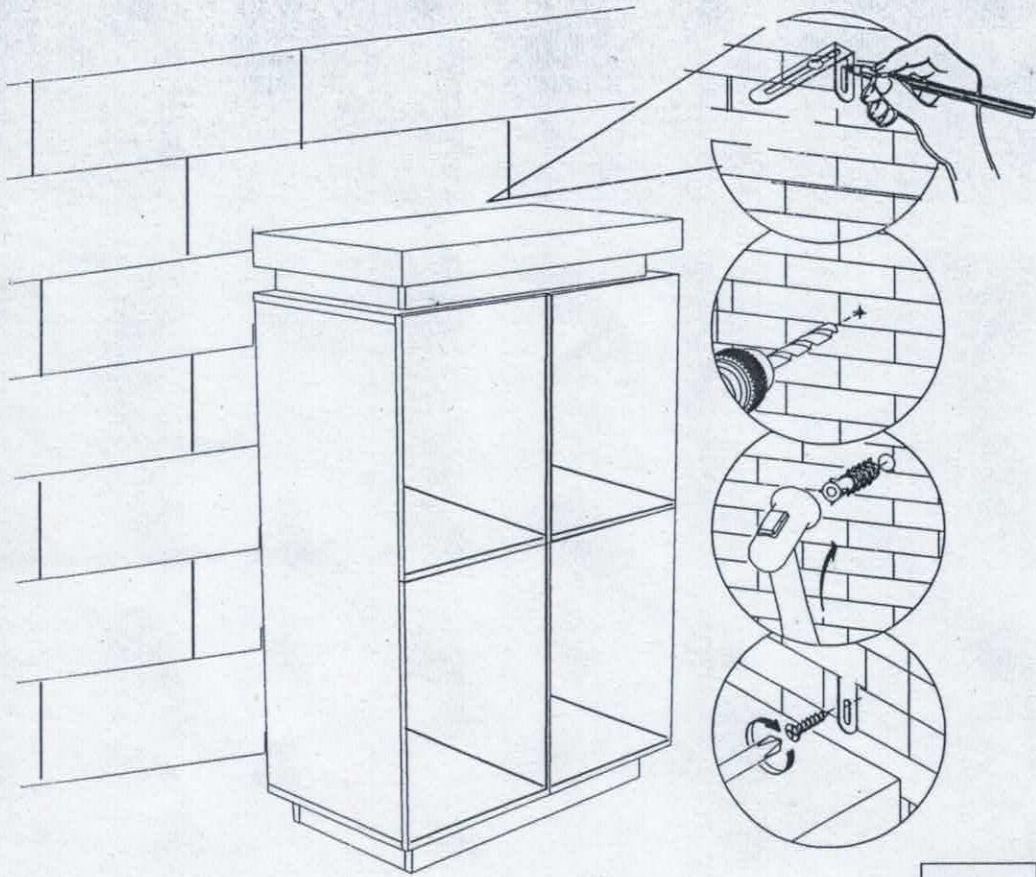
103	x6	112	x1	104	x6
Ø15x11				Ø16	


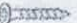
11



112	x1	114	x12
		Ø3x20	
115	x12	106	x1
		41x21x12mm	
117	x1		
L=3000mm			

12



	x2		x2
			
non inclus		non inclus	

13

